

Encoder Terminal Connection

No.	Description	Color
1	PG 5V	Red
2	PG 0V (GND)	Black
3	Phase A+	Blue
4	Phase A-	Blue/ White
5	Phase B+	Yellow
6	Phase B-	Yellow/ White
7	Phase Z	Purple
8	Phase U	Gray
9	Phase V	Green
10	Phase W	Orange
11	-	-
12	Frame Ground	Shield Wire

Motor Terminal Connection

No.	Description	Color
1	Phase U	Red
2	Phase V	White
3	Phase W	Blue
4	Frame Ground	Green/Yellow
5	-	-
6	-	-

Encoder cable: 6DIA. Black
UL20276, AWG22 (Red, Black)
AWG26 (Except for Red, Black)

Plug : 5559-12P-210 (Molex)
Terminal : 5558T2 (chained) or
5558T2L (detached)

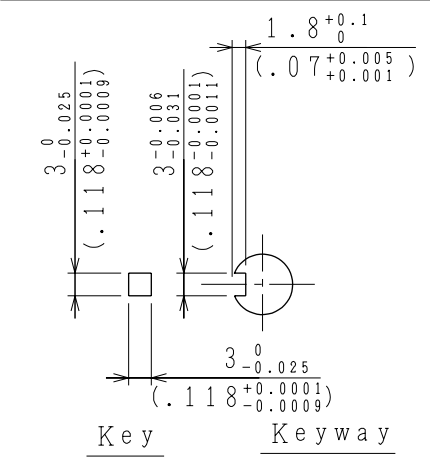
Connected to
Receptacle: 5557-12R-210
Terminal : 5556T2 (chained) or
5556T2L (detached)

Plug : 5559-06P-210 (Molex)

Terminal : 5558T (chained) or
[No.1 to 3] 5558TL (detached)
Grounding Pin : 30490-2002 (chained) or
[No.4] 30490-2012 (detached)

Connected to
Receptacle: 5557-06R-210
Terminal : 5556T (chained) or
5556TL (detached)

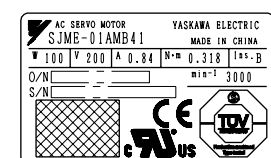
Motor leads
UL1828, AWG20
Protective tube: 7DIA. Black



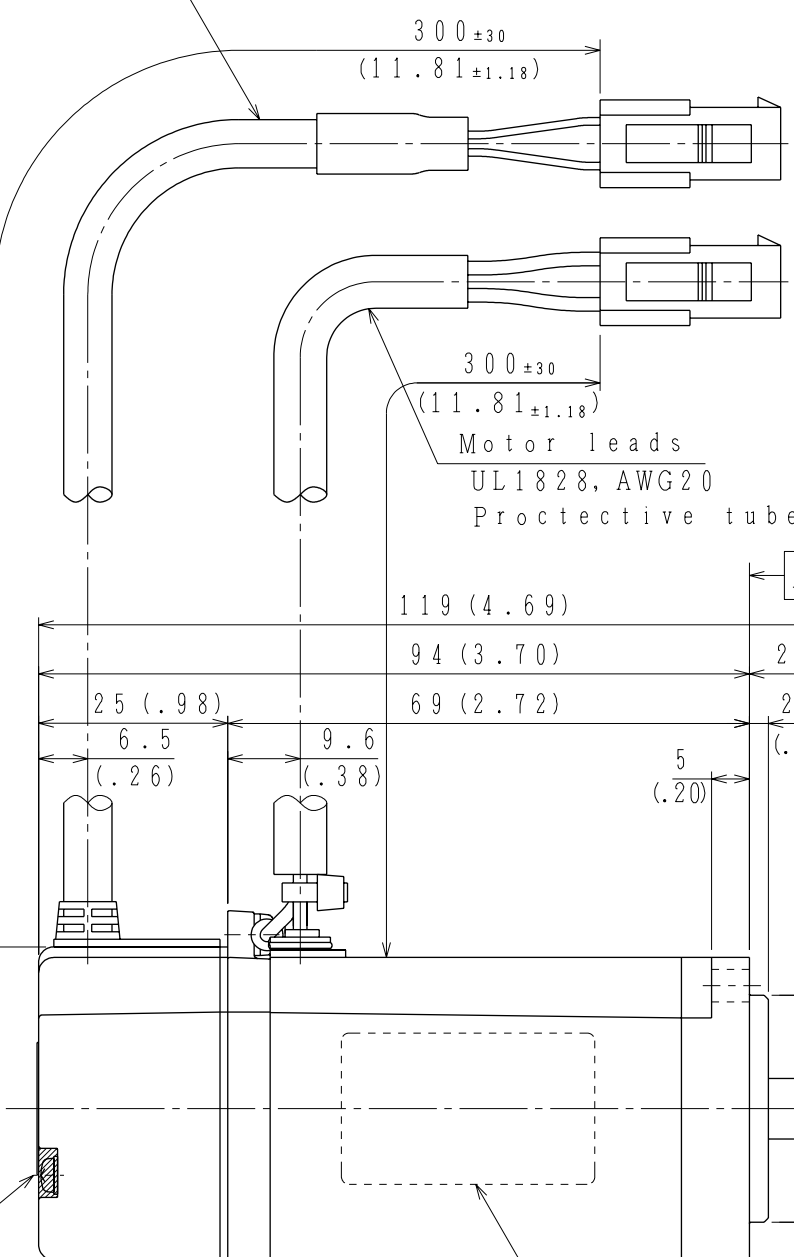
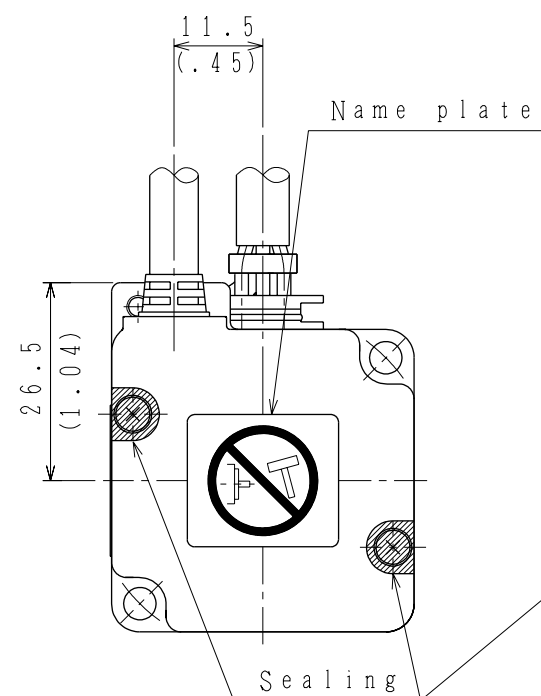
VIEW Y-Y

Notes.5
Screw for Frame ground

Name plate



Name plate
VIEW B



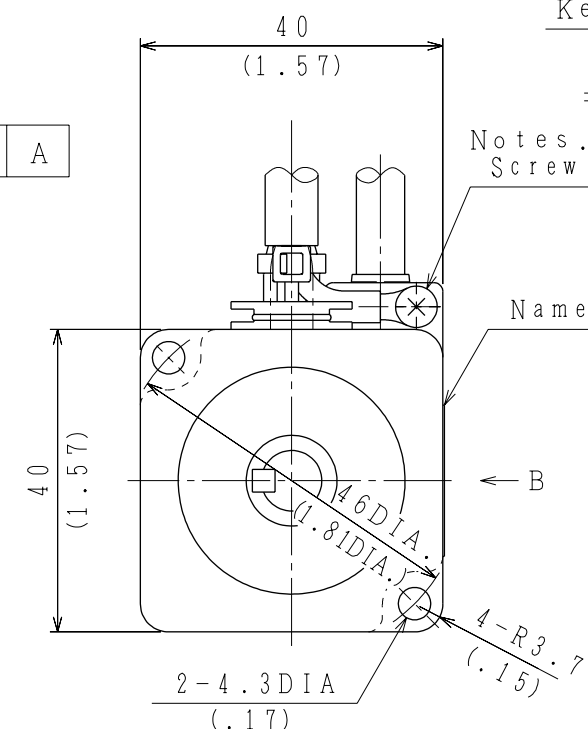
0.08
(.0031) A

0.03
(.0012) A

0.06DIA.
(.0024) A

8.0.009 DIA.
(.315-.0004 DIA.)

30.0.033 DIA.
(1.181.0.0012 DIA.)



- Notes: 1. Motor specifications : DP0491511 (200W)
2. Encoder specifications: DP0494062
3. Dimensions of the keyway are conformed to JIS (Japanese Industrial Standard) No.B1301 "Sunk keys and their corresponding keyways (close keys)".
4. Degrees of protection: IP55 (except for connectors and drive end side)
5. Do not remove the screw connecting motor frame and frame ground lead.
6. All dimensions are in millimeters (inches).

Type	Rated Output (W)	Rated Torque (N·m (lb·in))	Time Rating	Rated Rotation Speed (min ⁻¹)	Weight (kg (lb))	Allowable Radial Load Fr (N (lb))	Allowable Thrust Load (N (lb))
SJME-01AMB41	100	0.318 (2.81)	Continuous	3000	0.5 (1.1)	78 (17.5)	54 (12.1)



SCALE 1:1
DRAW. T. Watanabe
CHECK N. Yoshizawa
APPR. K. Aoki

TITLE AC SERVOMOTOR JUNMA SERIES
(100W)

DATE MAR.22.'07
DWG.NO. 900-008-584
REV.